

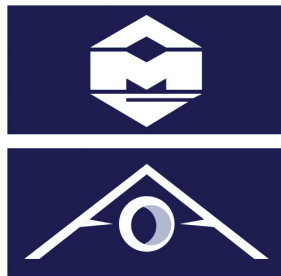
**ABK**  
CUSTOMISED BALL VALVES  
COMPLETE PRODUCT RANGE

AMG-PESCH®



An **ERIKS** Company

QUALITY IS OUR DRIVE



an **ERIKS** company

As customers of AMG Pesch were repetitively asking for specific modifications and tailor made solutions beside our actuator program and the standard range of valves the decision was taken in 1989 to become a manufacturer of „special valves for specific requirements and individual applications“.

Depending on

- Pressure range and temperature
- Fluid characteristics
- Process conditions
- Specific requirements on site

we offer customised solutions, based on the different types of valves as described on the following pages.

The given parameters determine the choice of

- right sealing system and components around stem and ball
- design and execution of the inner passages, suspension and dead spaces,
- build-in materials
- manufacturing processes and dimensions
- actuation and control
- regulations, approvals and specifications to be respected.

In order to implement these requirements, we refer as much as possible to reliable, proven and standardised solutions to minimise variety and to ease the use, maintenance and supply of spare parts.

In accordance with our tradition and experience as manufacturer and supplier of both components, valve and actuator, we always have the right automation in mind and are pleased to provide you with complete automated units from one single source.

Since the take over through ERIKS ([www.eriks.com](http://www.eriks.com)) in 2011, good perspectives have been created for a sustainable development such as becoming a competence centre for valves, actuators and complete automated systems.

In addition to our high- quality valve and actuator technology you can now take profit from a wide range of more than 600.000 industrial components and from the presence and performance of a strong and reliable partner

Customised ball valves from **ABK** – handled with professionalism and safety.

## Quality is our drive



# OVERVIEW

**BI 10**

**Bottom outlet ball valve  
(one-piece body)**



**BI 11**

**Bottom outlet ball valve  
(two-piece body)**



**T**

**Solid material ball valve**



**BGI**

**Solid material ball valve**



**C**

**2-way ball valve**



**D**

**3-way ball valve, 90°**



**N**

**3-way ball valve, 120°**



**K**

**3-way ball valve, vertical**



**E**

**4-way ball valve**



**F**

**5-way ball valve**



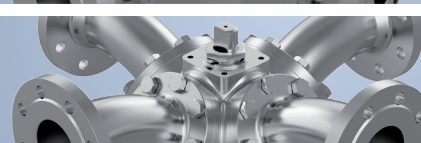
**G**

**3-way piggable ball valve**



**O**

**5-way piggable ball valve**



**M**

**Compact ball valve**



**MSE**

**Sampling ball valve**



## CUSTOMISED BALL VALVES

### DESIGN PRINCIPLES

#### MATERIALS AND SEALING SYSTEMS

##### STEM SEALING SYSTEMS

- O-ring sealed systems
- Pure PTFE packing, spring loaded
- Pure graphite packing, spring loaded
- PTFE / graphite combination packing

##### BALL SEAT SYSTEMS

Soft seated with PTFE compounds

Spring loaded systems:

- PEEK seated
- Carbon seated
- Metal seated

Available materials:

- Carbon steel, Stainless steel,
- Alloy, Monell, Inconell,
- Hastelloy, Titanium

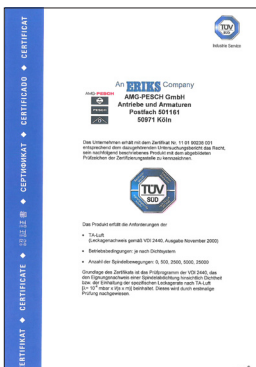


#### QUALITY & APPROVALS

certified quality management-system  
according to DIN EN ISO 9001:2008

production and testing according to:

- TA-Luft acc. to VDI 2440
- Quality assurance system acc. to directive 97/23/EG (Modul H) / AD 2000





## CUSTOMISED BALL VALVES

### TYPE BI 10

#### BOTTOM OUTLET BALL VALVE

#### TYPE BI 10

One-piece body

Available design features:

- Full bore Floating ball
- Stuffing box
- Heating jacket
- Minimised cavity
- Spring loaded ball sealing system

Sizes range: DN 15 – DN 80 / 1/2" up to 3"

Pressure range: PN 16, Class 150

Temperature range: -40°C up to +300°C



## CUSTOMISED BALL VALVES

### TYPE BI 11

#### BOTTOM OUTLET BALL VALVE

#### TYPE BI 11

Two-piece body

Available design features:

- Full bore Floating ball
- Spring loaded ball sealing system
- Heating jacket
- Minimised cavity

Sizes range: DN 50/25 – DN 350/250 / 1" up to 10"

Pressure range: PN 10/16, Class 150

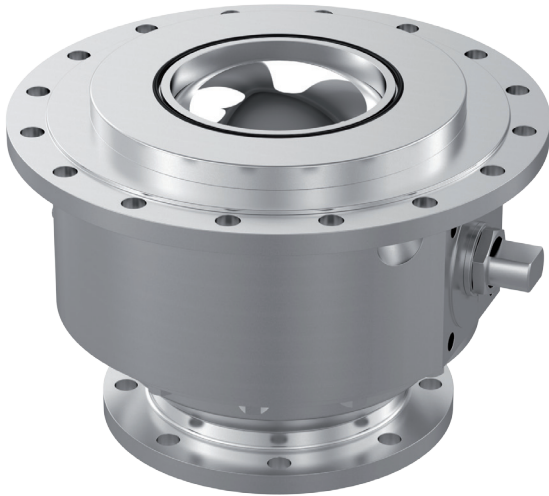
Temperature range: -40°C up to +300°C



## CUSTOMISED BALL VALVES

### TYPE T

FOR SOLID MATERIAL HANDLING



### TYPE T

Available design features:

- Full ball
- Spring loaded sealing system
- One-ball sealing system
- Trunnion mounted ball

Sizes range: DN 80 – 200 / 3" to 8"

Pressure range: PN10 / 16, Class 150

Temperature range: -40°C up to +200°C

## CUSTOMISED BALL VALVES

### TYPE BGI

FOR SOLID MATERIAL HANDLING



### TYPE BGI

Design features:

- Segment ball
- Trunnion mounted
- Active sealing system
- Seat materials PEEK, carbon, metal

Sizes range: DN 200/150 – DN 350/250 / 6" up to 12"

Pressure range: PN 10/16, Class 150

Temperature range: -40°C up to +200°C

## CUSTOMISED BALL VALVES

### TYPE C

#### 2-WAY BALL VALVES

#### TYPE C

Flanged type

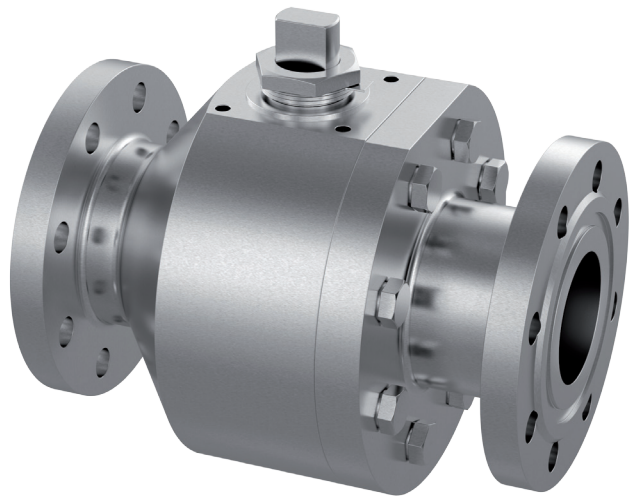
Available design features:

- Full bore
- Floating ball / Trunnion mounted ball
- Piggable ball design
- Two & three parts body design
- Heating jacket

Sizes range: DN 15 – DN 200 / 1/2" up to 8"

Pressure range: PN 10 – PN 63, Class 150 - 600

Temperature range: -40°C up to +300°C



## CUSTOMISED BALL VALVES

### TYPE D

#### 3-WAY BALL VALVE, HORIZONTAL

#### TYPE D

3-way ball valve, horizontal

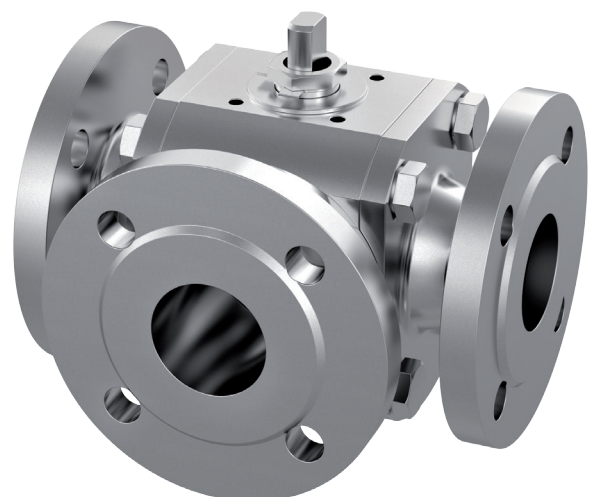
Available design features:

- Full bore
- Sealing on all sides
- Chambered seats
- Heating jacket

Sizes range: DN 15 – DN 200 / 1/2" up to 8"

Pressure range: PN 10 – PN 40, Class 150 - 300

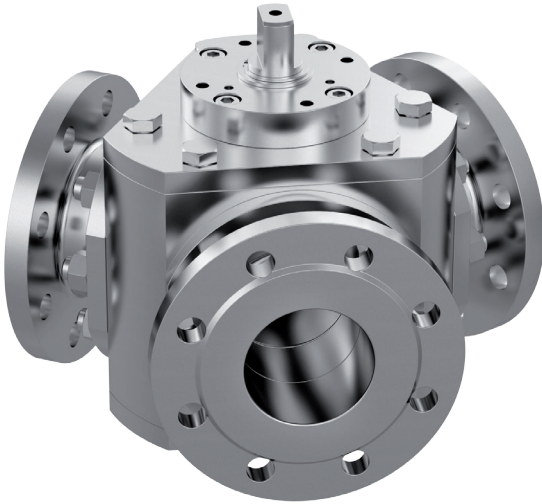
Temperature range: -40°C up to +300°C



## CUSTOMISED BALL VALVES

### TYPE N

#### 3-WAY BALL VALVE 120°



#### TYPE N

3-way ball valve, horizontal 120°

Available design features:

- Full bore
- Floating ball

Sizes range: DN 15 – DN 200 / 1/2" up to 8"

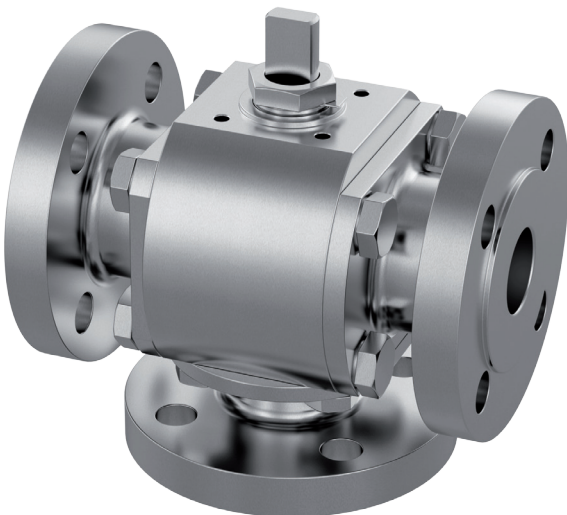
Pressure range: PN 10 – PN 40, Class 150 - 300

Temperature range: -40°C up to +300°C

## CUSTOMISED BALL VALVES

### TYPE K

#### 3-WAY BALL VALVE, VERTICAL



#### TYPE K

Available design features:

- Full bore
- Floating ball
- Vertical L-boar

Sizes range: DN 15 – DN 200 / 1/2" up to 8"

Pressure range: PN 10/16, Class 150

Temperature range: -40°C up to +300°C



## SONDERARMATUREN / CUSTOMISED BALL VALVES

### TYPE E

#### 4-WAY BALL VALVE

##### TYPE E

4-way ball valve, horizontal

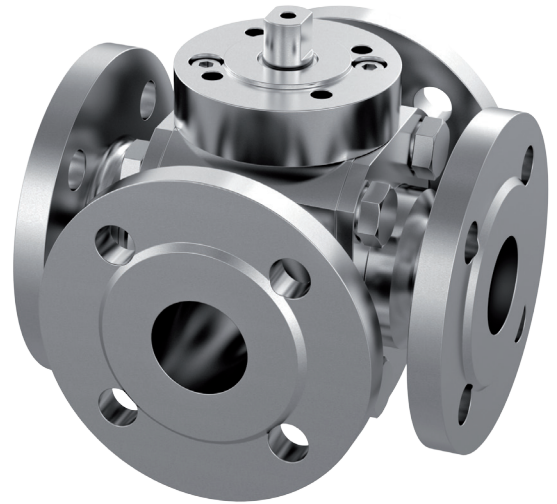
Available design features:

- Full bore
- Floating ball

Sizes range: DN 15 – DN 200 / 1/2" up to 8"

Pressure range: PN 10 – PN 40, Class 150 - 300

Temperature range: -40°C up to +300°C



## CUSTOMISED BALL VALVES

### TYPE F

#### 5-WAY BALL VALVE

##### TYPE F

5/4-way ball valve, four horizontal, one vertical

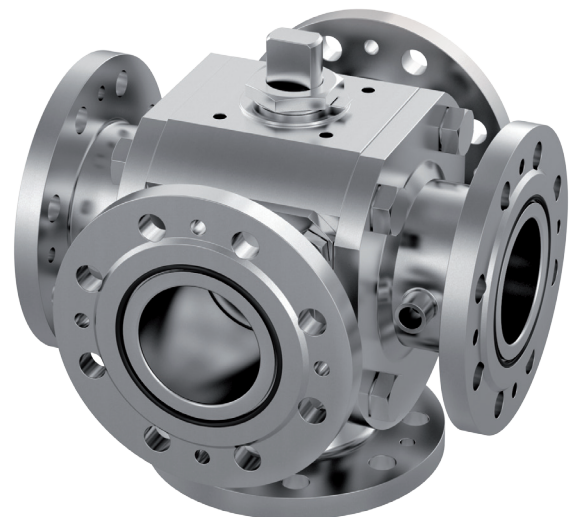
Available design features:

- Full bore
- Floating ball

Sizes range: DN 15 – DN 200 / 1/2" up to 8"

Pressure range: PN 10 – PN 40, Class 150 - 300

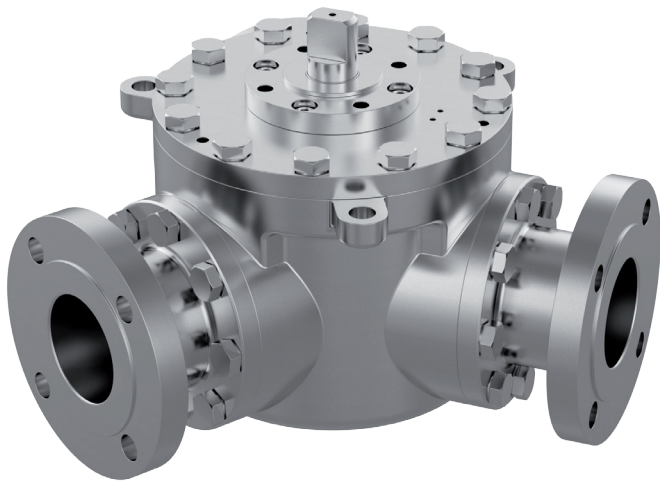
Temperature range: -40°C up to +300°C



## CUSTOMISED BALL VALVES

### TYPE G

#### 3-WAY PIGGABLE BALL VALVE



#### TYPE G

3-way piggable ball valve, horizontal

Available design features:

- Full bore
- Floating ball
- Trunnion mounted ball
- Heating jacket

Sizes range: DN 50 – DN 150 / 2" up to 8"

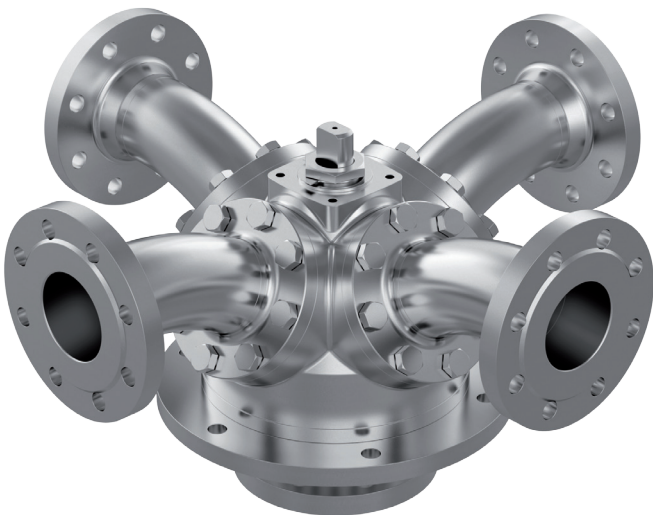
Pressure range: PN 16 – PN 40, Class 150 - 300

Temperature range: -40°C up to +200°C

## CUSTOMISED BALL VALVES

### TYPE O

#### 5-WAY PIGGABLE BALL VALVE



#### TYPE O

5/4-way piggable ball valve, four horizontal, one vertical

Available design features:

- Full bore
- Floating ball
- Trunnion mounted ball

Sizes range: DN 50 – DN 150 / 2" up to 6"

Pressure range: PN 16 – PN 40, Class 150 - 300

Temperature range: -40°C up to +200°C

## CUSTOMISED BALL VALVES

### TYPE M

#### COMPACT BALL VALVE

#### TYPE M

Compact type

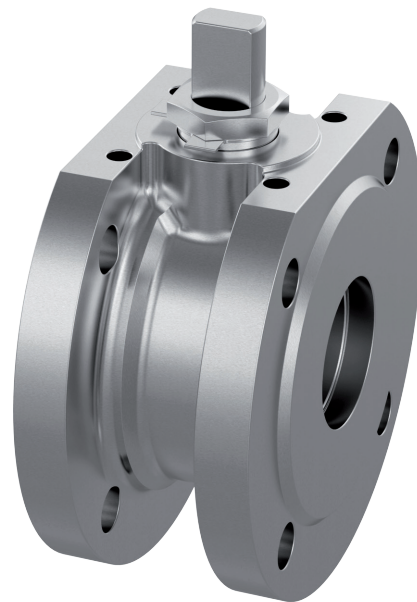
Available design features:

- Full bore
- Floating ball
- Piggable ball design
- One part body design

Sizes range: DN 15 – DN 200 / 1/2" up to 8"

Pressure range: PN 10 – PN 63, Class 150 - 600

Temperature range: -40°C up to +300°C



## CUSTOMISED BALL VALVES

### TYPE MSE

#### SAMPLING BALL VALVES

#### TYPE MSE

Sampling ball valves

Available design features:

- Directly integrated into the piping system
- Defined sampling volume
- Floating ball
- Minimised cavity
- Operation free of working pressure

Piping diameter: DN 25 – DN 100 / 1" up to 4"

Valve size: DN 15 – DN 80 / 1/2" up to 3"

Pressure range: PN16 – PN 40, Class 150 - 300

Temperature range: -40°C up to +300°C



## LOCATION



AMG-PESCH GmbH  
Adam-Riese-Straße 1  
D - 50996 Köln  
Tel.: +49 (0) 22 36 - 89 16 - 0  
Fax: +49 (0) 22 36 - 89 16 - 56  
info@amg-pesch.com  
www.amg-pesch.com

AMG-**PESCH**®



An **ERIKS** Company